

MODIFICHE		
Id.	Data	Descrizione

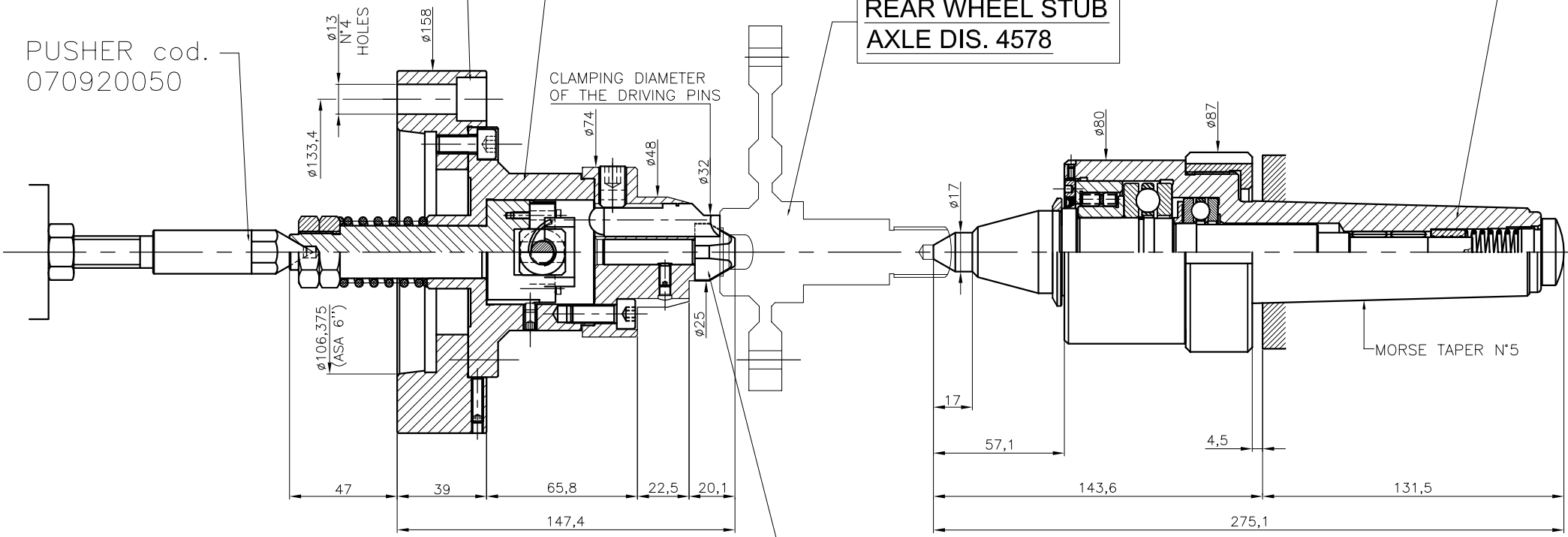
FACE DRIVER ADAPTOR ASA 6''
dwg. 0261/95

FACE DRIVER 20/70
FLANGED CLOCKWISE
ROTATION dwg. 1998/00

LIVE CENTER CM5/85
dwg. 2508/01

PUSHER cod.
070920050

**REAR WHEEL STUB
AXLE DIS. 4578**




FIXED CENTER
POINT WITH SLOTS
dwg. 1998/00.01

P2
→

THRUST ON THE DRIVING PINS OF THE
FACE DRIVER = Kg 1100

P1
←

THRUST ON LIVE
CENTER = Kg 1300

POS.	SCHEMA	Q.tà	MATERIALE	TRATTAM.	NOTE
 TECNOLOGIE FRB s.r.l. ATTREZZATURE PER MACCHINE UTENSILI					EX N°: NOTE
FOR TURNING of REAR WHEEL STUB AXLE with FACE DRIVER. 20/70 FL. and LIVE CENTER. CM5/85					N° DIS. o CODICE: 2000/00
SCALA : 1:1	DATA : 15/07/2013	DISEGN. VERONICA SCEUSA	ORA N°:		