

PBI-D

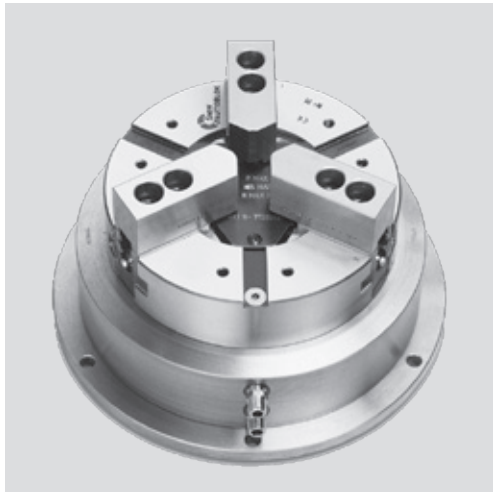
INCH serration
2 or 3 jaws

PBI-C

Tongue & groove
3 jaws

Pneumatic chuck for indexing tables Ø 165 - 315 mm

- built-in cylinder
- 2 and 3 jaws



Application/customer benefits

- Self centering rotating chuck with a pneumatic manifold used on indexing tables, not designed for constant rotation on turning machines

PBI-D: inch serrated master jaws (1/16" x 90°)

PBI-C: tongue & groove master jaws

PBI-M: metric serrated master jaws (1.5 mm x 60°) **on request**

Technical features

- 2/3 jaw chuck with a built-in pneumatic cylinder
- manifold for air supply
- Case hardened body to assure highest precision and long chuck life

Important! Due to the friction between fixed manifold and rotating central body, the indexing table must provide a higher rotation torque than the one shown in the schedule below

Standard equipment

Chuck unit

1 set of soft blank top jaws (PBI-C excluded)

1 set T-nuts with bolts (PBI-C excluded)

Grease gun

Ordering example

3 jaw chuck PBI-C 250

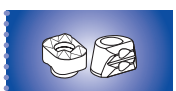
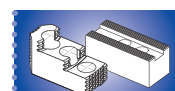
or

2 jaw chuck PBI-D 165

Technical data

SMW-AUTOBLOK Type		PBI-D 165 PBI-C 165	PBI-D 210 PBI-C 210	PBI-D 250 PBI-C 250	PBI-D 315 PBI-C 315
Radial jaw stroke	mm	3.6	4.4	5	6.3
Radial jaw stroke PBIL-D2 (2 jaws)*	mm	6.8	8.4	9.7	12
Piston area	cm ²	143	236	358	548
Max. operating pressure	bar	7	7	7	7
Gripping force at 6 bar	kN	24	42	64	98
Gripping force at 6 bar PBIL-D2 (2 jaws)*	kN	16	26	39	60
Torque Md	Nm	40	60	85	120
Weight (without top jaws)	kg	23	38	56	82

*The 2 jaw fixture is available with serrated master jaws (inch or metric) and long stroke only.



Pneumatic chuck for indexing tables Ø 165 - 315 mm

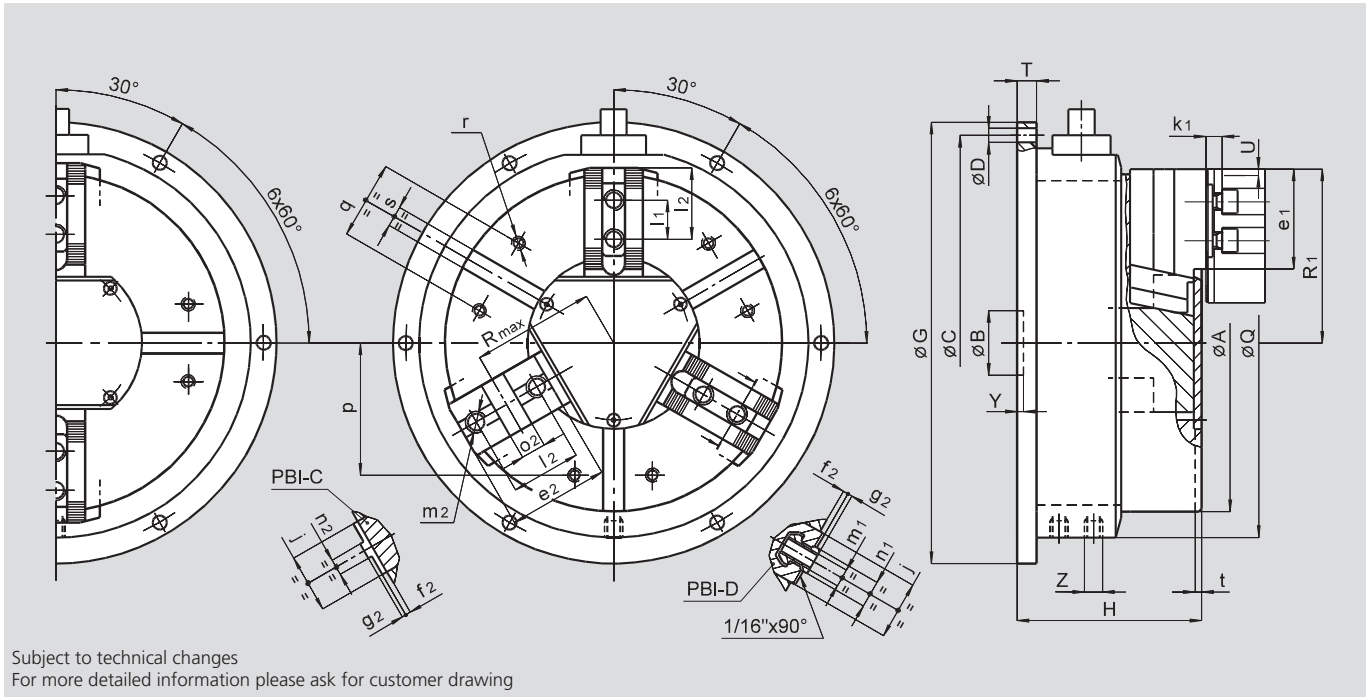
- built-in cylinder
- 2 and 3 jaws

PBI-D

INCH serration
2 or 3 jaws

PBI-C

Tongue & groove
3 jaws



Subject to technical changes
For more detailed information please ask for customer drawing

Common dimensions

SMW-AUTOBLOK Type		PBI-D 165 PBI-C 165	PBI-D 210 PBI-C 210	PBI-D 250 PBI-C 250	PBI-D 315 PBI-C 315	
	A	mm	170	215	260	315
	B	mm	30	35	50	50
Fixing holes circle	C	mm	225	280	320	390
Fixing holes diameter	D	mm	9	11	11	13
	G	mm	240	300	340	415
	H	mm	114	132	140	145
	Q	mm	210	260	300	365
	T	mm	10	12	14	14
Radial jaw stroke (3 jaws)	U	mm	3.6	4.4	5	6.3
Radial jaw stroke PBIL-D2 (2 jaws)	U	mm	6.8	8.4	9.7	12
	Y	mm	5	5	5	5
Pneumatic connections	Z	inch	R1/4"	R1/4"	R1/4"	R1/4"
	j	mm	30	36	45	45
	k1	mm	10	11	12	12
	p	mm	65	80	102	120
	q	mm	36	45	60	60
	r	mm	M8	M8	M10	M10
	s H12	mm	16	16	16	16
	t	mm	5	5	5	5

PBI-D and PBIL-D2 fixtures dimensions

SMW-AUTOBLOK Type		PBI-D 165	PBI-D 210	PBI-D 250	PBI-D 315	
	e1	mm	48	60	77	99
	f1	mm	4	3	4	4
	g1	mm	2.5	2.5	3.5	3.5
	l1	mm	16.5	23	30	30
T-nut position	min./max. l3	mm	24/40	33/50	43/62	43/84
	m1	mm	M10	M12	M16	M16
	n1 h8	mm	14	17	21	21
Chuck open (3 jaws)	R1	mm	89	110	134	162
Chuck open PBIL-D2 (2 jaws)	R1	mm	92	114	138.5	168

PBI-C fixtures dimensions (available only in 3 jaw chuck version)

SMW-AUTOBLOK Type		PBI-C 165	PBI-C 210	PBI-C 250	PBI-C 315	
	e2	mm	54	71	77	99
	f2	mm	4	4	4	4
	g2	mm	3	3	3	3
	l2	mm	38	44.4	54	63.5
	m2	mm	M10	M12	M16	M16
	n2 h8	mm	7.94	7.94	12.70	12.70
	o2 H7	mm	12.68	12.68	19.03	19.03
Chuck open	R1	mm	89	110	134	162
Chuck open	Rmax	mm	62	77	94	109